



Parabolic antenna JRC-24DD MIMO PriS

Dual-polarized parabolic antenna **JRC-24 Deep Dish MIMO Pris** is designed for links with dual-polarized PrismStation radio units at the frequency band 5 GHz. The antenna is designed for environments with multiple reflections for long and medium distances in difficult conditions. **Its design with deep dish increases isolation among antennas on a mast and increases front to back ratio. The new concept expands the frequency band.**

Other models: **JRC-24DD MIMO** – standard deep dish MIMO antenna
JRC-24DD MIMO Precision – antenna with precision holder JDMW-900 AR
JRC-24DD-SX MIMO – antenna with stainless steel holder for adverse corrosive condition

Electrical parameters:

Frequency range	4.9 – 6.4 GHz
Gain	24.5 ± 1 dBi
VSWR	≤ 1.2
Beamwidth <small>-3 dB</small>	9.0°
Port to port isolation <small>5.1 – 5.9 GHz</small>	≥ 27 dB
Front to Back ratio	≥ 44 dB
Polarization	Determined by radio unit

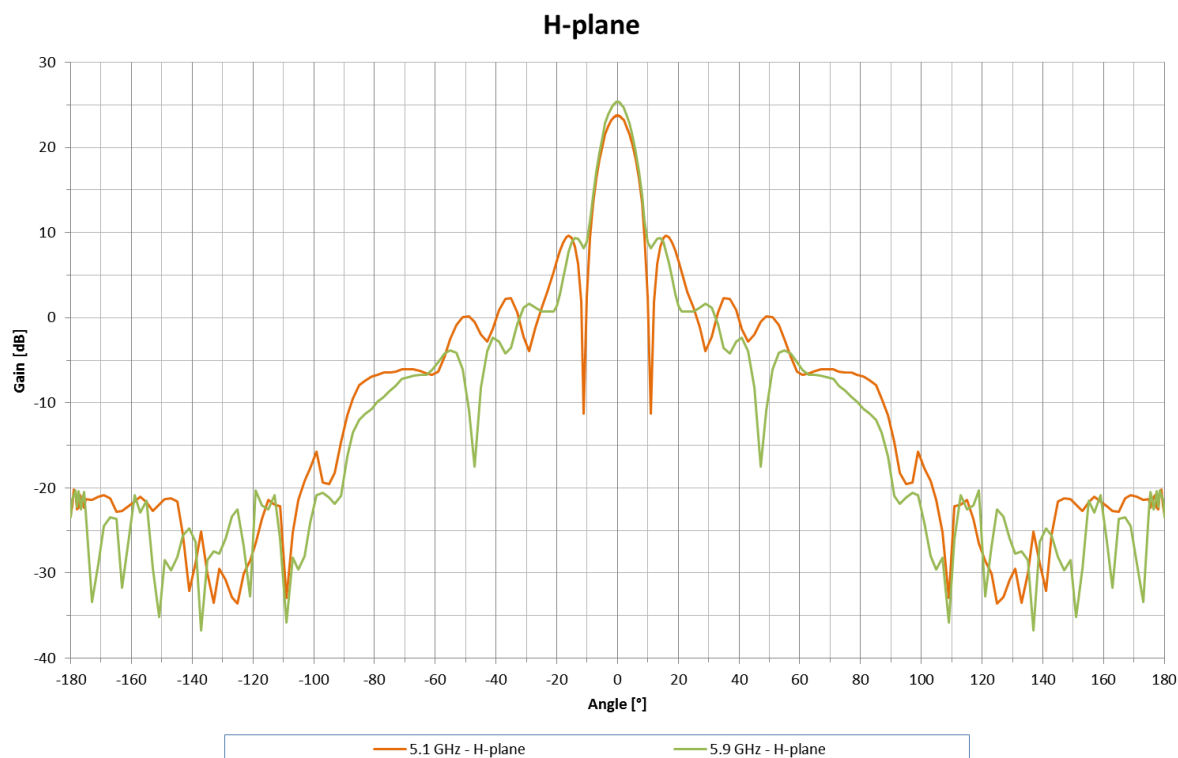
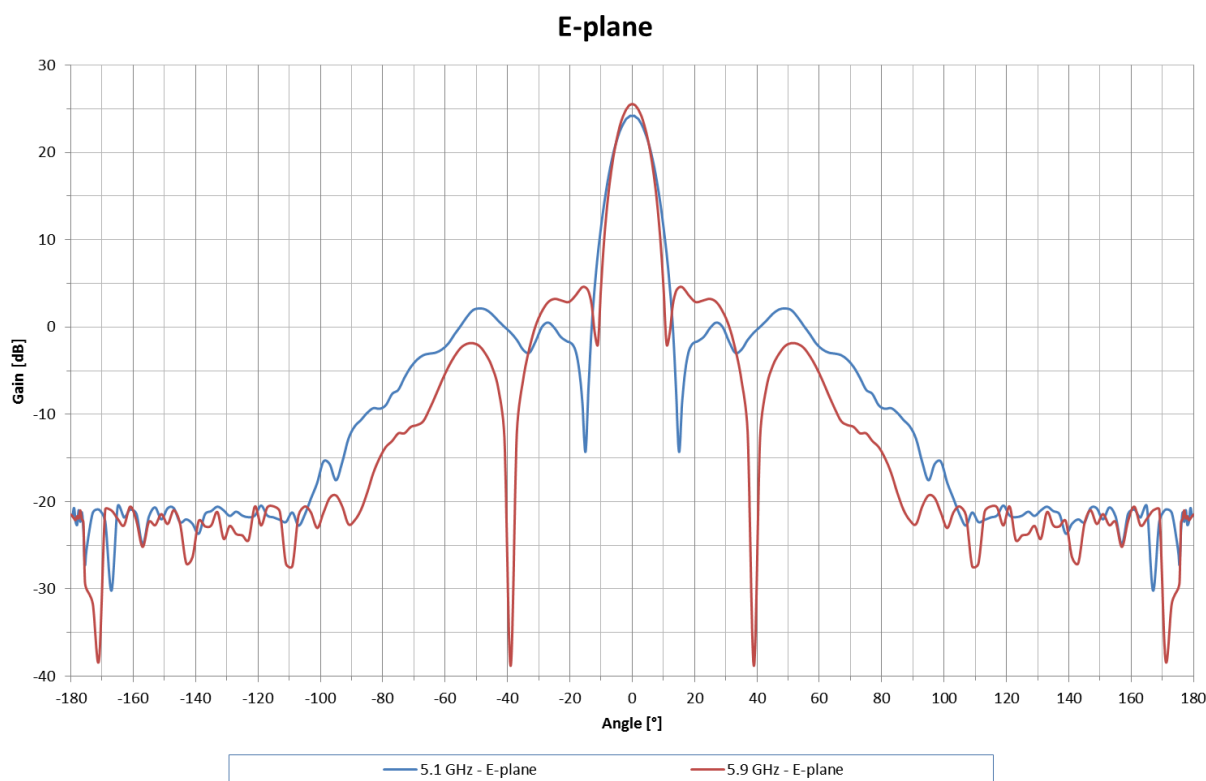
Mechanical parameters:

Parabola	Ø 400 mm, Aluminium alloy
Radome	UV steady plastic ABS
Connection	Waveguide for UBNT PrismStation
Installation for mast	Ø 27 - 74 mm
Weight of antenna	1.7 kg (4.8 lbs.)
Shipping dimensions - 2 pcs	485 x 485 x 350 mm/4.2 kg (9.3 lbs.)

The antenna has separate latching nuts for easy mounting and adjustment of the azimuth and elevation. Right and left side mounting possible.

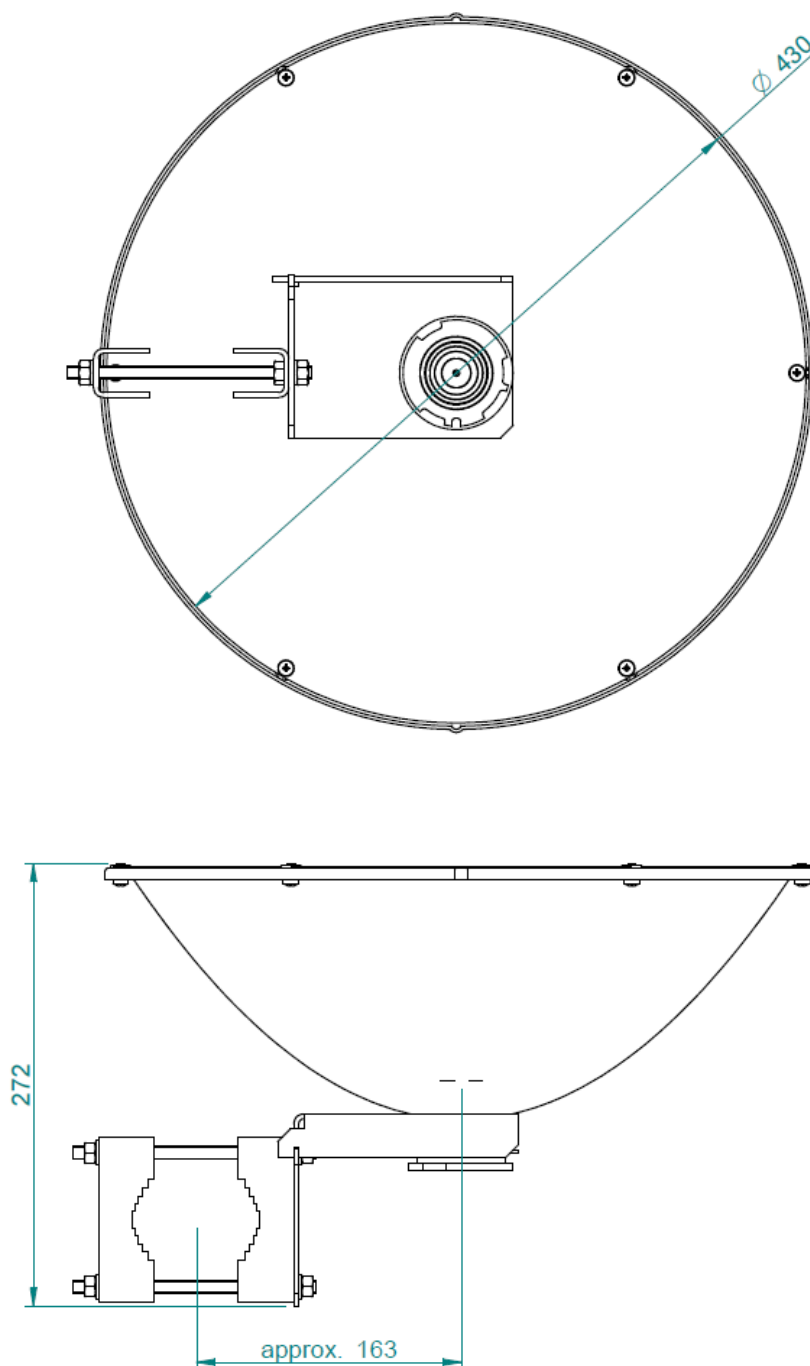
Parabolic antenna JRC-24DD MIMO PriS

Measurement of radiation pattern:



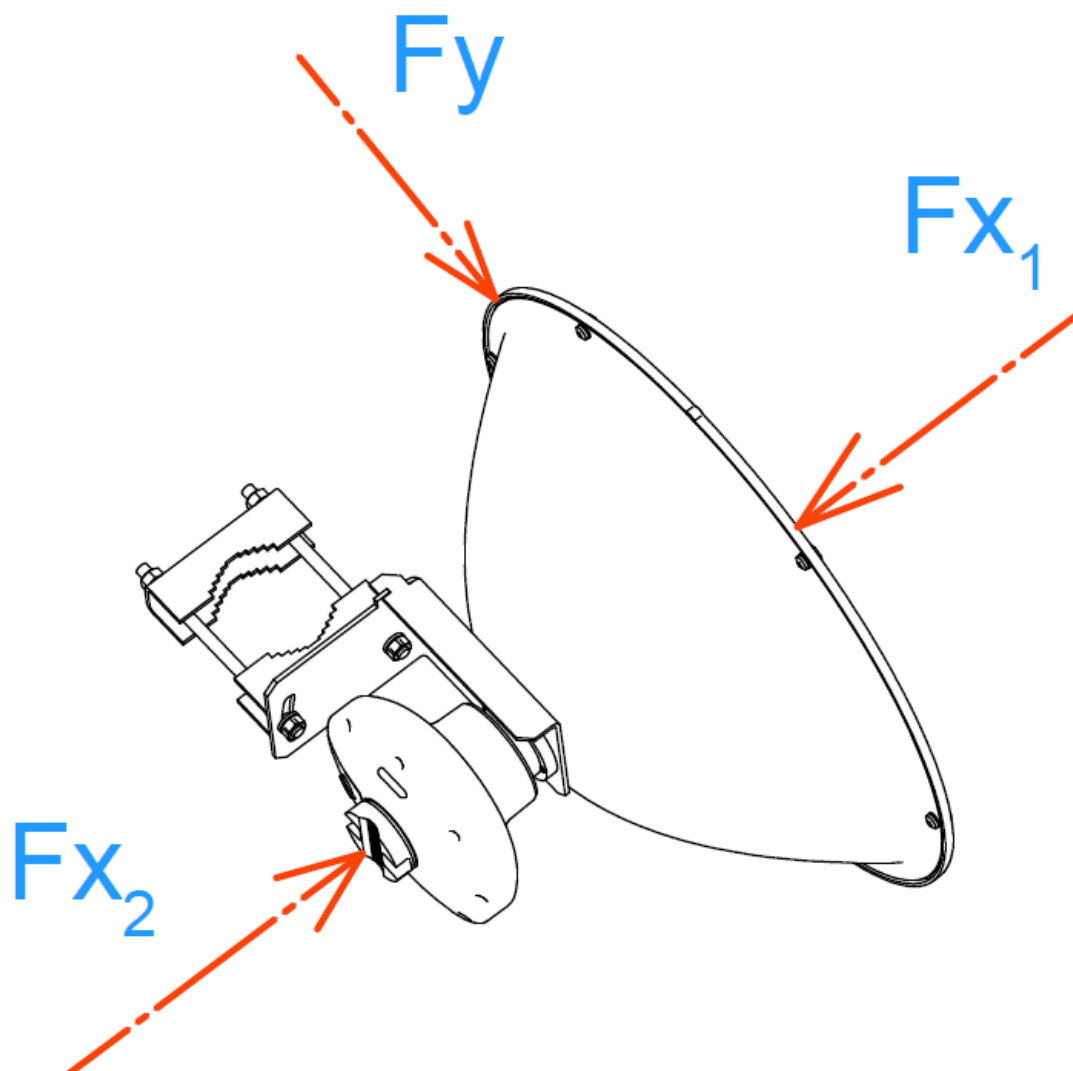
Parabolic antenna JRC-24DD MIMO PriS

Outlines:



Parabolic antenna JRC-24DD MIMO PriS

Wind loading:



Wind Loading at 250 km/h [125 mph]		
Direction	Force [N]	Force [lbf]
Fx1	344	77,3
Fx2	313	70,4
Fy	17	3,8